

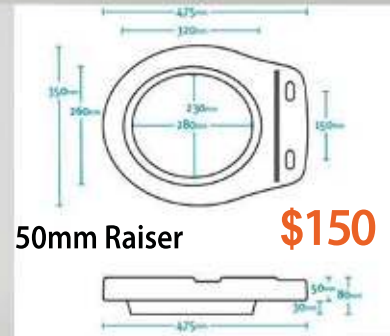
Seat Raiser Arm and Bidet Health Care Package



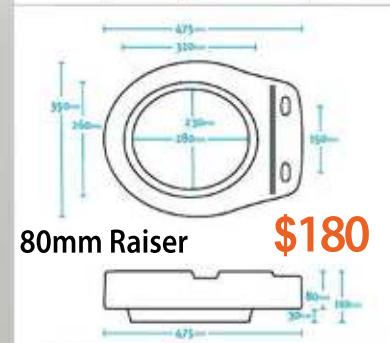
1. REMOVE YOUR TOILET SEAT

2. PLACE THE RAISER

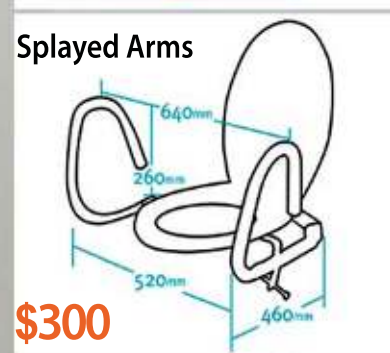
3. FIT THE ARMS



50mm Raiser **\$150**



80mm Raiser **\$180**



\$300



\$300