



AFA SINKS



Product Quality Guarantee

AFA sinks are covered by a 10 year product replacement warranty.

To see the full Reece Product Quality Guarantee, visit www.reece.com.au/warranties

AFA SINKS

UNSURPASSED QUALITY. OUTSTANDING STYLE. AFA SETS THE STANDARD IN CONTEMPORARY SINKWARE. A CHOICE OF ARCHITECTURALLY INSPIRED DESIGNS THAT ENHANCE THE AESTHETICS OF YOUR KITCHEN. PRESSED FROM HIGH QUALITY 304 GRADE STAINLESS STEEL, EACH AFA SINK IS ENGINEERED TO BE AS DURABLE AS IT IS BEAUTIFUL. INNOVATIVE SOUND DEADENING PADS AND ANTI-CONDENSATION TREATMENT MAKE AFA THE LEADER IN HIGH END SINK DESIGN.



VERTUS

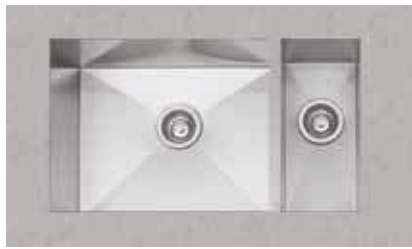
DEFINED BY STARK GEOMETRIC LINES, VERTUS MAKES A TRUE DESIGN STATEMENT IN THE KITCHEN. PRESSED FROM 1.2MM STAINLESS STEEL AND AVAILABLE IN SINGLE OR DOUBLE BOWL UNDERMOUNT OPTIONS.

UNDERMOUNT



DOUBLE BOWL 750MM
0 Tap Hole, Undermount Installation
Each Bowl Capacity 30L

Suitable Vertus Accessories



1 & 1/4 BOWL 745MM
0 Tap Hole, Undermount Installation
Bowl Capacity 44L Large, 11.5L Small

Suitable Vertus Accessories



1 & 1/2 BOWL 590MM
0 Tap Hole, Undermount Installation
Bowl Capacity 30L Large, 11.5L Small

Suitable Vertus Accessories



SINGLE BOWL 340MM
0 Tap Hole, Undermount Installation
Bowl Capacity 30L

Suitable Vertus Accessories



SINGLE BOWL 540MM
0 Tap Hole, Undermount Installation
Bowl Capacity 44L

Suitable Vertus Accessories



Universal accessories suitable
for all Vertus sinks



EXACT

EXACT COMBINES PRECISION WITH PRACTICALITY. A SOFTER 15 MM CORNER RADIUS GIVES THE RANGE ITS DISTINCT VISUAL CONTOURS. PRESSED FROM 1.2-1.5 MM THICK STAINLESS STEEL AND SUITABLE FOR BOTH INSET AND UNDERMOUNT INSTALLATION.

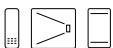
INSET OR UNDERMOUNT



DOUBLE BOWL 792MM

0 Tap Hole, Each Bowl Capacity 28.5L

Suitable Exact Accessories



DOUBLE BOWL 1208MM

0 Tap Hole, Left and Right Hand Bowl Available
Each Bowl Capacity 28.5L

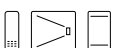
Suitable Exact Accessories



SINGLE BOWL 404MM

0 Tap Hole, Bowl Capacity 28.5L

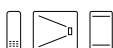
Suitable Exact Accessories



SINGLE BOWL 950MM

0 Tap Hole, Left and Right Hand Bowl Available
Bowl Capacity 36L

Suitable Exact Accessories



Universal accessories
suitable for all Exact sinks





For added convenience, these sinks can be installed either undermount or inset. Delivering the very latest designer look, undermount sinks provide uncluttered lines as well as easy benchtop cleaning. Simple to retrofit, inset sinks are the ideal upgrade - adding instant style to your existing kitchen.

CUBELINE

SUPERBLY CRAFTED IN A CHOICE OF BEAUTIFUL DESIGNS, CUBELINE IS THE VERSATILE OPTION FOR THE MODERN KITCHEN. PRESSED FROM 0.9-1.5MM STAINLESS STEEL AND AVAILABLE IN SINGLE OR DOUBLE BOWL UNDERMOUNT AND INSET OPTIONS.



UNDERMOUNT



DOUBLE BOWL 802MM
0 Tap Hole, Undermount Installation
Each Bowl Capacity 32L

Suitable Cubeline Accessories



1 & 3/4 BOWL 854MM
0 Tap Hole, Undermount Installation
Bowl Capacity 41L Large, 18L Small

Suitable Cubeline Accessories



SINGLE BOWL 506MM
0 Tap Hole, Undermount Installation
Bowl Capacity 41L

Suitable Cubeline Accessories



SINGLE BOWL 415MM
0 Tap Hole, Undermount Installation
Bowl Capacity 32L

Suitable Cubeline Accessories



INSET



1 & 3/4 BOWL TC 1150MM
1 Tap Hole, Inset Installation,
Left and Right Hand Bowl Available
Bowl Capacity 32L Large, 18L Small

Suitable Cubeline Accessories



1 & 3/4 BOWL DP 1250MM
1 Tap Hole, Inset Installation
Left and Right Hand Bowl Available
Bowl Capacity 41L Large, 18L Small

Suitable Cubeline Accessories



BAR SINK 485MM
1 Tap Hole, Inset Installation
Bowl Capacity 38L



PREP SINK 990MM
1 Tap Hole, Inset Installation, Features Knife
Block, Mini Drainer, Scrap Bin & Small Colander
Bowl Capacity 32.5L Large, 18.5L Small

Suitable Cubeline Accessories



SINGLE BOWL 935MM
1 Tap Hole, Inset Installation,
Left and Right Hand Bowl Available
Bowl Capacity 32L

Suitable Cubeline Accessories



Universal accessories suitable
for all Cubeline sinks



UNDERMOUNT



DOUBLE BOWL 802MM
0 Tap Hole, Undermount Installation
Each Bowl Capacity 32L



1 & 3/4 BOWL 854MM
0 Tap Hole, Undermount Installation
Bowl Capacity 46.5L Large, 30L Small



SINGLE BOWL 428MM
0 Tap Hole, Undermount Installation
Bowl Capacity 29L



SINGLE BOWL 540MM
0 Tap Hole, Undermount Installation
Bowl Capacity 48L



SINGLE BOWL 768MM
0 Tap Hole, Undermount Installation
Bowl Capacity 80L

INSET OR UNDERMOUNT

For added convenience, these sinks can be installed either inset or undermount. Delivering the very latest designer look, undermount sinks provide uncluttered lines as well as easy benchtop cleaning. Simple to retrofit, inset sinks are the ideal upgrade - adding instant style to your existing kitchen.



SINGLE BOWL 838MM
1 Tap Hole Inset or Undermount Installation
Left and Right Hand Bowl Available
Bowl Capacity 28L

Suitable Flow Accessories



DOUBLE BOWL 838MM
1 Tap Hole, Inset or Undermount Installation
Bowl Capacity 28L

Suitable Flow Accessories

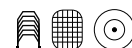


DOUBLE BOWL 1211MM
1 Tap Hole, Inset or Undermount Installation
Left and Right Hand Bowl Available
Each Bowl Capacity 28L

Suitable Flow Accessories



Universal accessories suitable
for all Flow sinks



FLOW

WITH ITS GENTLE, EFFORTLESS CURVES, FLOW REPRESENTS TIMELESS SOPHISTICATION. PRESSED FROM 0.9-1.2MM STAINLESS STEEL AND AVAILABLE IN SINGLE AND DOUBLE BOWL OPTIONS AS INSERT OR UNDERMOUNT.



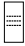


ACCESSORIES


AFA'S BEAUTIFULLY DESIGNED SELECTION OF HIGH QUALITY ACCESSORIES INTEGRATE SEAMLESSLY WITH EACH SINK RANGE TO MAKE YOUR KITCHEN A HIGHLY FUNCTIONAL WORK SPACE.

VERTUS



COLANDER 
425 x 205MM
Stainless Steel



CHOPPING BOARD 
425 x 315MM



CHOPPING BOARD 
425 x 365MM


EXACT

All Exact Accessories suit all Exact sinks.



COLANDER 
423 x 146MM
Stainless Steel



DRAINER TRAY 
428 x 388MM
Stainless Steel



CHOPPING BOARD 
423 x 235MM

CUBELINE



COLANDER
428 X 238MM
Stainless Steel



DRAINER TRAY
428 X 388MM
Stainless Steel



CHOPPING BOARDS
Small 428 X 242MM
Large 428 X 388MM



FLOW



COLANDER
117 X 382MM
Polypropylene



DISH DRAINER TRAY
421 X 381MM
Stainless Steel



CHOPPING BOARD
305 X 385MM

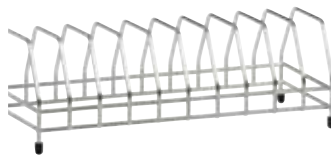


UNIVERSAL

All Universal Accessories suit all AFA sinks.



DISH BASKET
365 X 295MM
Stainless Steel



DISH RACK
304 X 117MM
Stainless Steel

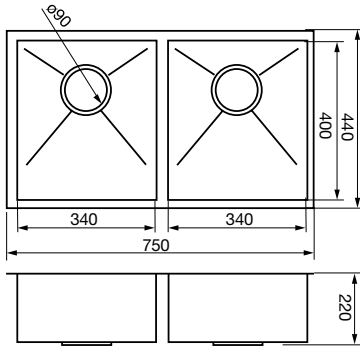


WASTE BIN
Ø300MM
Stainless Steel
Capacity 27L

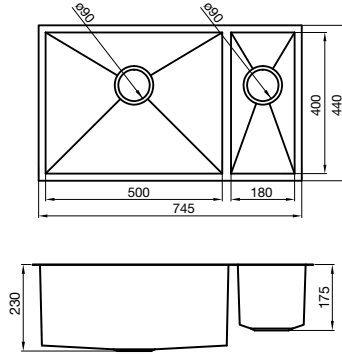




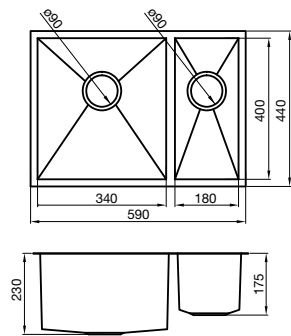
VERTUS



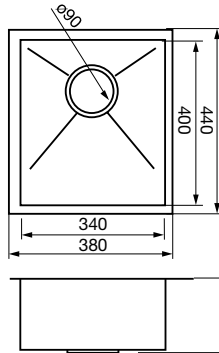
DOUBLE BOWL 750MM



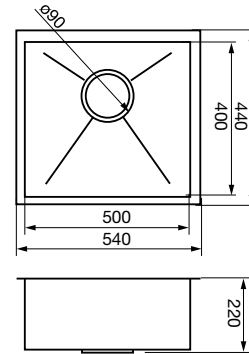
1 & 1/4 BOWL 745MM



1 & 1/2 BOWL 590MM

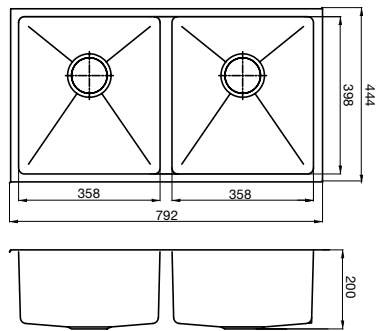


SINGLE BOWL 340MM

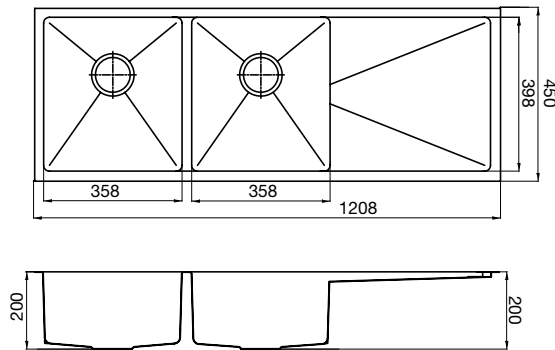


SINGLE BOWL 540MM

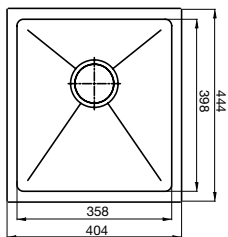
EXACT



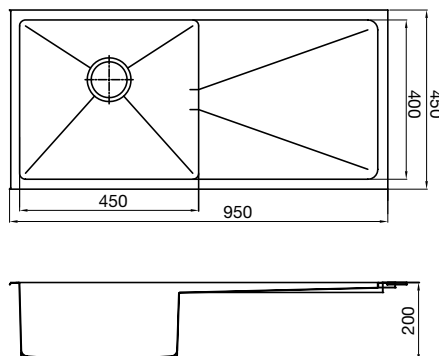
DOUBLE BOWL 792MM



DOUBLE BOWL 1208MM

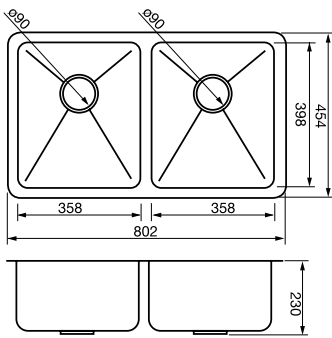


SINGLE BOWL 404MM

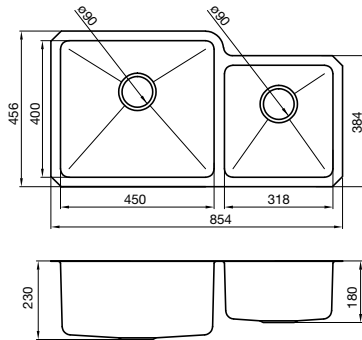


SINGLE BOWL 950MM

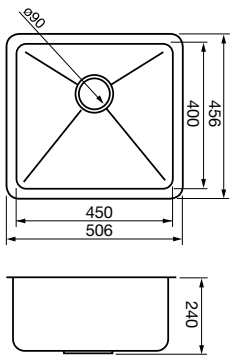
CUBELINE



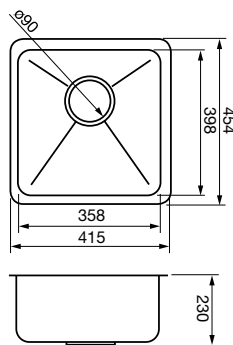
DOUBLE BOWL 802MM



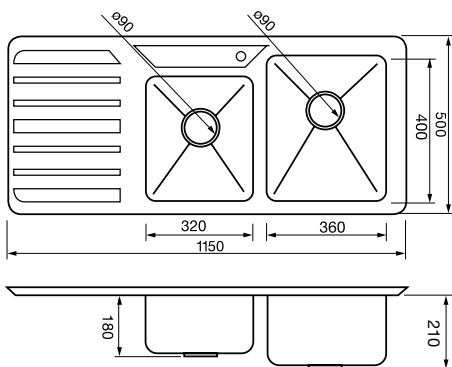
1 & 3/4 BOWL 854MM



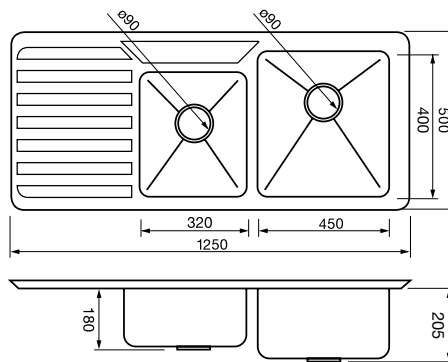
SINGLE BOWL 506MM



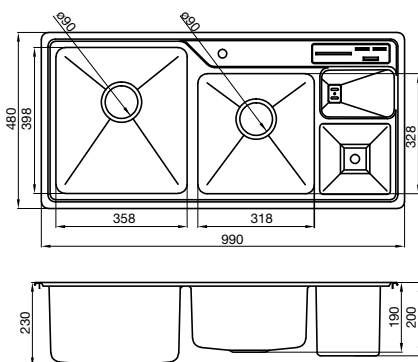
SINGLE BOWL 415MM



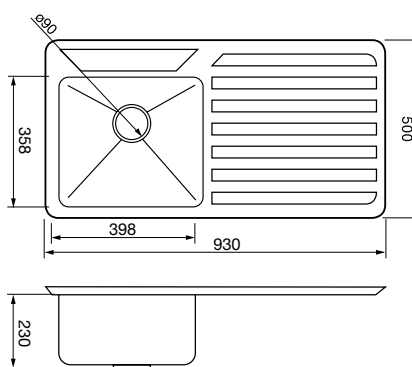
1 & 3/4 BOWL TC 1150MM



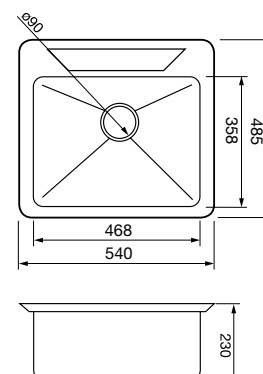
1 & 3/4 BOWL DP 1250MM



PREP SINK 990MM

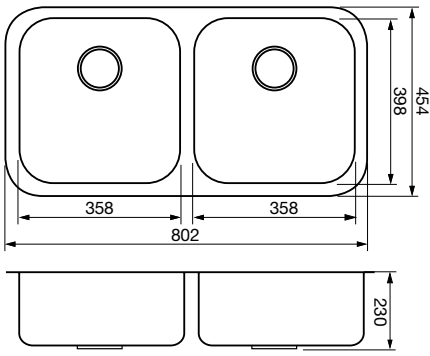


SINGLE BOWL 935MM

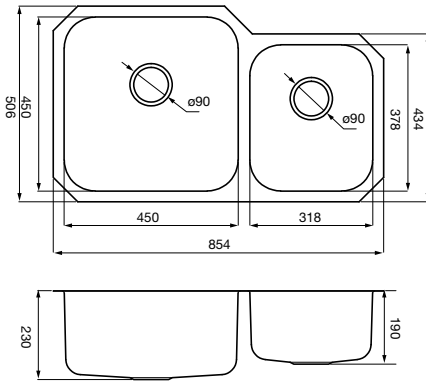


BAR SINK 485MM

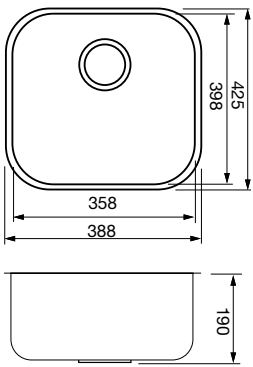
FLOW



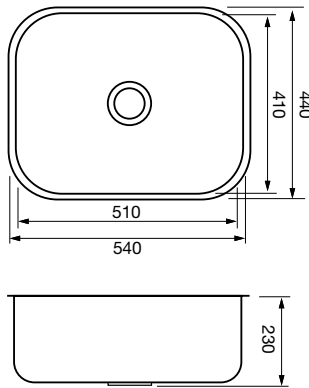
DOUBLE BOWL 802mm



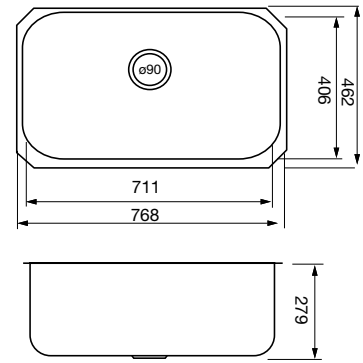
1 & 3/4 BOWL 854MM



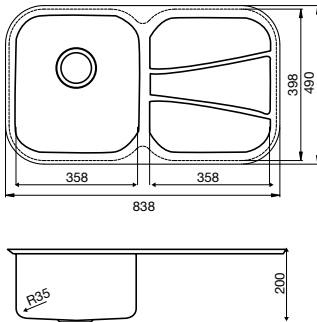
SINGLE BOWL 428MM



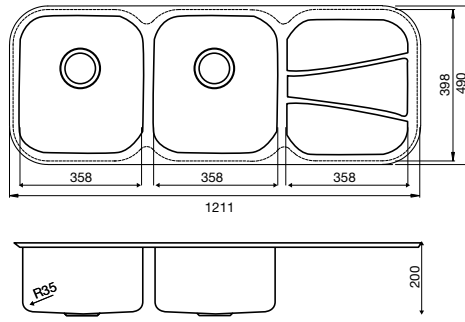
SINGLE BOWL 540MM



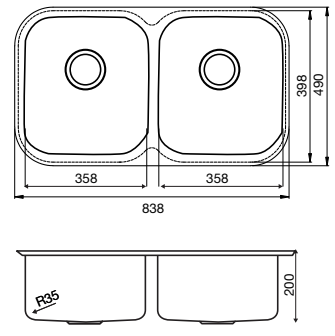
SINGLE BOWL 768MM



SINGLE BOWL 838MM

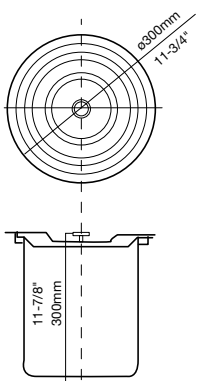


DOUBLE BOWL 1211MM



DOUBLE BOWL 838MM

UNIVERSAL ACCESSORIES



WASTE BIN



Bathroom Happiness™

Visit any one of our 300 showrooms around Australia for all the latest products, concepts and inspiration to make your bathroom whatever you want it to be. And for the ultimate bathroom experience, go to one of our new bathroom life™ stores where you will find the biggest range of leading Australian and international brands. Call **1800 032 566** or visit **www.reece.com.au** for your nearest bathroom showroom.

Due to limitations in the printing process the colours in this brochure are a guide only. The manufacturer/distributor reserves the right to vary specifications or delete models from their range without prior notification. The manufacturer/distributor takes no responsibility for printing errors. AFA sinks are covered by a 10 year product replacement warranty. See www.reece.com.au/warranties for more information.

V11 [BROCHURE CODE 9500092]

 **AFA Sink Series**

