

The warmest way to start your day.

EVERHOT HOT WATER UNITS



everhot®
hot water units

A quality hot water system can really make a home. And when it comes to performance, Everhot delivers. That's why so many Australian families choose our reliable systems.

Everhot offers a full choice of Gas and Electric units for mains water applications – with capacities to suit a range of family sizes and budgets. What's more, each of our hot water systems come with full warranty backing through the Reece national network.

Everhot. The warmest way to start your day.

Contents

| | |
|------------------------|---|
| 4 Star Gas Storage | 2 |
| 5 Star Gas Storage | 3 |
| Small Electric Storage | 4 |
| Large Electric Storage | 5 |



Reece Product Quality Guarantee
For full warranty details visit www.reece.com.au

4 Star Gas Storage



7 YEAR WARRANTY



4 STAR ENERGY EFFICIENCY

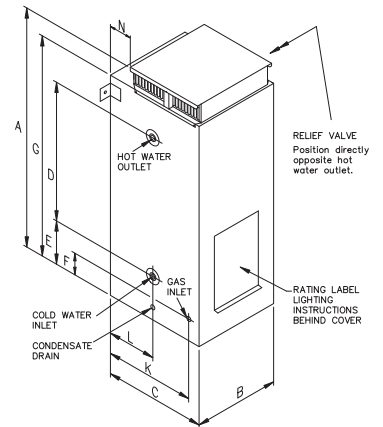


GAS



Everhot 4 Star

- 4 Star energy efficient
- Two sizes: 135L and 170L capacity
- Natural and Propane gas models (Propane in 135L only)
- Strong recovery: 113L/hour
- 248/283L first hour capacity of hot water
- Easy, fast replacement for 3 Star units – same dimensions and fittings
- 7 year cylinder warranty



| SPECIFICATIONS | | | |
|-----------------------------------|--------|-----------------------|-----------------------|
| AGA GAS Energy Rating | | 4.3 stars | 4 stars |
| Installation | | External only | External only |
| Suitable for no. of people | | | |
| Moderate Climate | | 2-4 | 3-5 |
| Cool Climate | | 2-3 | 3-4 |
| Storage Capacity | Litres | 135 | 170 |
| Recovery Rate @ 45°C Rise | L/hr | 113 | 113 |
| First Hour Capacity | Litres | 248 | 283 |
| Anodes | | 2 | 2 |
| Hourly Gas Consumption | | | |
| Natural Gas | MJ | 27 | 27 |
| Propane | MJ | 26 | - |
| Max. Supply Pressure | | | |
| with ECV | kPa | 960 | 960 |
| without ECV | kPa | 1120 | 1120 |
| T&PR Valve Setting | kPa | 1400 | 1400 |
| Water Hot and Cold Connections | | RP ^{3/4} /20 | RP ^{3/4} /20 |
| Gas Connections | | RP ^{1/2} /15 | RP ^{1/2} /15 |
| Dimensions | | | |
| A | mm | 1558 | 1858 |
| B | mm | 422 | 422 |
| C | mm | 502 | 502 |
| D | mm | 988 | 1213 |
| E | mm | 328 | 403 |
| F | mm | 298 | 298 |
| G | mm | 1478 | 1778 |
| K | mm | 473 | 473 |
| L | mm | 208 | 208 |
| M | mm | 297 | 297 |
| N | mm | 97 | 97 |
| Approx. Weight (Empty) | kg | 59 | 69 |

Warranty 7 years on cylinder, 1 year on parts and & labour

5 Star Gas Storage

Holding one of the highest energy efficiency star ratings for Gas Storage, the Everhot 5 star units not only help save the environment, they'll also save you money.



7 YEAR
QUALITY GUARANTEE



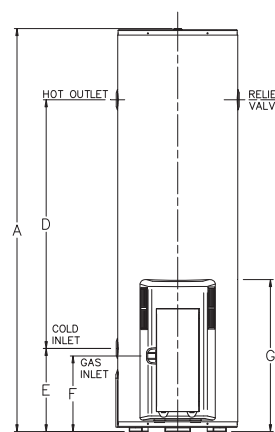
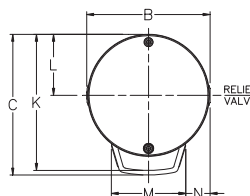
5 STAR ENERGY
EFFICIENCY



GAS

Everhot 272 & 302

- 5 Star energy efficiency
- Natural and Propane gas models (Propane in 265 only)
- Strong recovery: 142L/hour
- 272L/302L first hour capacity of hot water
- Compact - 485mm diameter for easy replacement of 3 Star gas water heaters
- 7 year cylinder warranty



SPECIFICATIONS

| AGA GAS Energy Rating | 5.3 stars | 5.3 stars |
|-----------------------------------|-----------------------|-----------------------|
| Installation | External only | External only |
| Suitable for no. of people | | |
| Moderate Climate | 2-4 | 3-5 |
| Cool Climate | 2-3 | 3-4 |
| Storage Capacity | Litres | Litres |
| Recovery Rate @ 45°C Rise | L/hr | L/hr |
| First Hour Capacity | Litres | Litres |
| Anodes | 1 | 1 |
| Hourly Gas Consumption | | |
| Natural Gas | MJ | MJ |
| Propane | MJ | - |
| Max. Supply Pressure | | |
| with ECV | kPa | kPa |
| without ECV | kPa | kPa |
| T&PR Valve Setting | kPa | kPa |
| Water Hot and Cold Connections | RP ^{3/4} /20 | RP ^{3/4} /20 |
| Gas Connections | RP ^{1/2} /15 | RP ^{1/2} /15 |
| Dimensions | | |
| A | mm | mm |
| B | mm | mm |
| C | mm | mm |
| D | mm | mm |
| E | mm | mm |
| F | mm | mm |
| G | mm | mm |
| K | mm | mm |
| L | mm | mm |
| M | mm | mm |
| N | mm | mm |
| Approx. Weight (Empty) | kg | kg |

Warranty 7 years on cylinder, 1 year on parts & labour

Electric Storage | Small

Everhot electric hot water heaters provide an easy option when replacing an existing electric hot water unit. Water is heated quickly providing an affordable solution for your hot water needs.

Everhot 25 - 125

- Fast, easy like-for-like replacement
- Dual handed inlet, outlet and T&PR fittings
- All models feature smaller diameters, making for an easier fit into confined spaces
- 25L & 50L models include plug-in models
- Proven reliability
- 7 year cylinder warranty, 3 years labour on cylinder



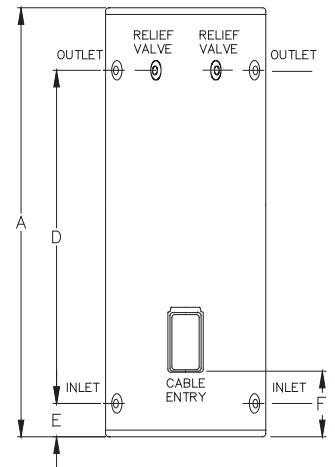
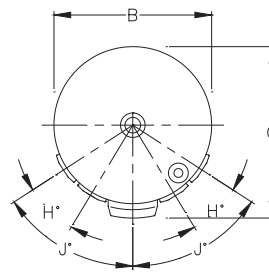
7 YEAR WARRANTY



DUAL HANDED



ELECTRIC



| MODEL | DUAL HANDED SINGLE ELEMENT | | | | |
|-----------------------------|----------------------------|------------------------------------|------------------------------------|------------------------------------|------------------------------------|
| | | 25 | 50 | 80 | 125 |
| Hot Water Delivery | Litres | 18 | 50 | 80 | 125 |
| kW Rating | 1.8 | - | - | - | ✓ |
| | 2.4 | ✓ | ✓ | - | - |
| | 3.6 | ✓ | ✓ | ✓ | ✓ |
| Relief Valve Setting | kPa | 1000 | 1000 | 1000 | 1000 |
| Expansion Control Valve | kPa | 850 | 850 | 850 | 850 |
| Max. Supply Pressure | | | | | |
| with ECV | kPa | 680 | 680 | 680 | 680 |
| without ECV | kPa | 800 | 800 | 800 | 800 |
| Water Connections | | RP ³ / ₄ /20 | RP ³ / ₄ /20 | RP ³ / ₄ /20 | RP ³ / ₄ /20 |
| Dimensions | | | | | |
| A | mm | 440 | 695 | 945 | 1340 |
| B | mm | 370 | 400 | 480 | 480 |
| C | mm | 404 | 436 | 515 | 515 |
| D | mm | 94 | 397 | 702 | 1102 |
| E | mm | 165 | 142 | 64 | 64 |
| F | mm | 75 | 80 | 66 | 66 |
| H | degrees | 29 | 26 | 24 | 24 |
| J | degrees | 90 | 59 | 60 | 60 |
| Approx. Weight (Empty) | kg | 14 | 29 | 36 | 49 |

Warranty 7 years on cylinder, 3 years labour on cylinder and 1 year components

Electric Storage | Large



Everhot 160 - 400

- Fast, easy like-for-like replacement
- Dual handed inlet and outlet fittings
- All models suit connection to concessional (off-peak) tariffs
- Proven reliability
- Made in Australia
- 7 year cylinder warranty, 3 years labour on cylinder



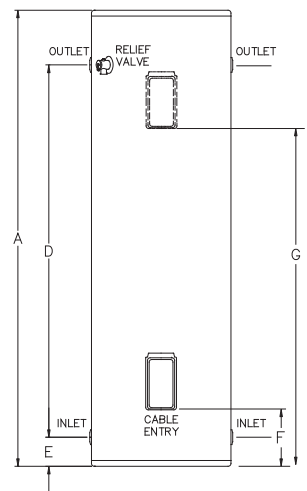
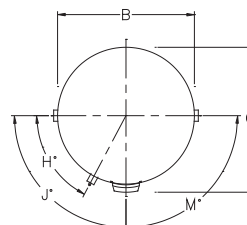
7 YEAR WARRANTY



DUAL HANDED



ELECTRIC



| MODEL | | DUAL HANDED SINGLE ELEMENT | | | | DUAL HANDED TWIN ELEMENT | | |
|-----------------------------|---------|------------------------------------|------------------------------------|------------------------------------|------------------------------------|------------------------------------|------------------------------------|------------------------------------|
| | | 160 | 250 | 315 | 400 | 250 | 315 | 400 |
| Hot Water Delivery | Litres | 160 | 250 | 315 | 400 | 250 | 315 | 400 |
| Boost Capacity | Litres | - | - | - | - | 50 | 50 | 90 |
| kW Rating | 2.4 | ✓ | - | - | - | - | - | - |
| | 3.6 | ✓ | ✓ | ✓ | - | ✓ | ✓ | - |
| | 4.8 | - | ✓ | ✓ | ✓ | - | ✓ | ✓ |
| Relief Valve Setting | kPa | 1000 | 1000 | 1000 | 1000 | 1000 | 1000 | 1000 |
| Expansion Control Valve | kPa | 850 | 850 | 850 | 850 | 850 | 850 | 850 |
| Max. Supply Pressure | | | | | | | | |
| with ECV | kPa | 680 | 680 | 680 | 680 | 680 | 680 | 680 |
| without ECV | kPa | 800 | 800 | 800 | 800 | 800 | 800 | 800 |
| Water Connections | | RP ³ / ₄ /20 | RP ³ / ₄ /20 | RP ³ / ₄ /20 | RP ³ / ₄ /20 | RP ³ / ₄ /20 | RP ³ / ₄ /20 | RP ³ / ₄ /20 |
| Dimensions | | | | | | | | |
| A | mm | 1610 | 1395 | 1640 | 1840 | 1395 | 1640 | 1840 |
| B | mm | 480 | 640 | 640 | 690 | 640 | 640 | 690 |
| C | mm | 515 | 700 | 700 | 755 | 680 | 680 | 730 |
| D | mm | 1332 | 1117 | 1317 | 1479 | 1117 | 1317 | 1479 |
| E | mm | 104 | 73 | 113 | 121 | 73 | 113 | 121 |
| F | mm | 66 | 103 | 103 | 105 | 103 | 103 | 105 |
| G | mm | - | - | - | - | 1005 | 1255 | 1346 |
| H | degrees | 23 | 32 | 32 | 30 | 32 | 32 | 30 |
| J | degrees | 58 | 88 | 88 | 83 | 88 | 88 | 83 |
| M | mm | 58 | 92 | 92 | 97 | 92 | 92 | 97 |
| Approx. Weight (Empty) | kg | 55 | 76 | 97 | 118 | 75 | 99 | 118 |

Warranty 7 years on cylinder, 3 years labour on cylinder and 1 year components

Don't risk it, use a licensed plumber.™

Once you have chosen your new hot water system you will need a professional to install it for you. Always use a licensed plumber and electrician and ensure that your system is serviced to manufacturer instructions.

Reece. Works for you.™

Call 1800 032 566 or visit www.reece.com.au for your nearest Reece branch.

Due to limitations in the printing process the colours in this brochure are a guide only.

All products enjoy a product replacement warranty. For full warranty details visit www.reece.com.au/productquality

V9 | BROCHURE CODE 2130177

everhot®

reece™