


HIDDEN SECRETS OF BEAUTIFUL BATHROOMS.

**GEBERIT CONCEALED
TECHNOLOGY.**


**Know-how
from
Switzerland**


Geberit.

Swiss Know-How and Sustainability.

Who wouldn't appreciate more space in the bathroom?

Nothing says luxury more than a well designed bathroom.

A concealed cistern will create a more spacious, streamlined look.

Geberit has been engineering innovative and well designed products of the highest quality since 1874; with a heritage of expertise and innovation in concealed cisterns dating back to 1964.

Today, Geberit is the market leader in Europe and an essential element in bathrooms throughout Australia, incorporating Swiss know-how into a range of cisterns designed to suit Australian conditions.

Geberit believes in a sustainable quality of life and is proud to be a company with strong environmental credentials, listed as one of the 10 most sustainable companies in the building industry sector.



The design genius behind the brand.

Award winning ideas to grace your bathroom.

"Geberit products don't scream 'Look at me, I'm different'.
For this reason, I have to work very discreetly. They are made modestly, but as perfectly as possible." Christoph Behling



Daniel Irányi

The Geberit Sigma80 was designed by celebrated Swiss designer **Daniel Irányi**.

Daniel studied industrial design at the Art Center College of Design Europe, Switzerland.

Daniel co-founded TRIBECRAFT in Zurich, partnering with co-minded professionals keen to make an impact with their work.

Daniel has been designing products continuously for Geberit including the award winning Monolith family.



Sigma80



Christoph Behling

Sigma01 was designed by **Christoph Behling**, Lead Designer for TAG Heuer since 2004.

Christoph is a designer with a vision to combine technology, infrastructure and aesthetics to create the bathroom of the future.

Christoph has been designing Geberit's collection of mechanical flush plates since 2007 and his work includes Sigma50 and Sigma60.



Sigma01



Sigma80.

Light years ahead.



■ **Geberit Sigma80**
 Touchless dual-flush
 Access plate: Reflective glass
 Product material: Glass
 Code: 9504023



■ **Geberit Sigma80**
 Touchless dual-flush
 Access plate: Black glass
 Product material: Glass
 Code: 9504022

The glass actuator plate has ingenious sensors that respond to motion. By simply waving in front of the full or half light field, you can activate the flushing mechanism.

You also have a choice of five different colour settings for the button lights, to suit individual bathroom colour schemes and personal taste.

Electricity consumption is minimised via the automatic standby mode.



Designed by Daniel Irányi



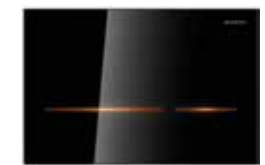
Blue



Green



Pink



Orange



Yellow

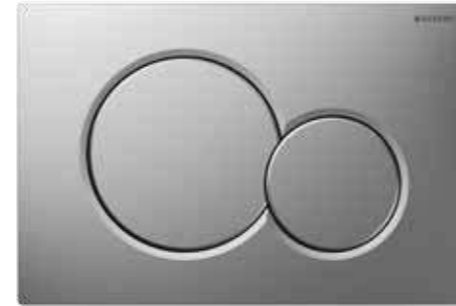
Compatibility: Suits only Sigma120 cistern. Power supply installation set required: 9504026.

Introducing the remarkable, touchless **Sigma80**,
 an **electronic plate** that operates with the wave of your hand.



Sigma01.

Design comes full circle.



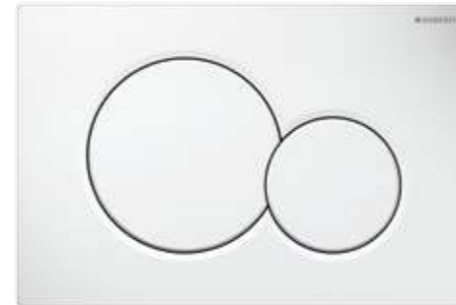
■ **Geberit Sigma01**

Access plate: Satin chrome
Product material: ABS
Code: 9504017



■ **Geberit Sigma01**

Access plate: Bright chrome
Product material: ABS
Code: 9504016



■ **Geberit Sigma01**

Access plate: White
Product material: ABS
Code: 9504015



■ **Geberit Sigma01**

Access plate: Black
Product material: ABS
Code: 9504018



Designed by
Christoph Behling

Compatibility: Suits Sigma120, Under Counter 150 and Sigma75 cisterns.

The Sigma01 brings a new level of design to the bathroom.
Two overlapping circles; organic, bold, simple and sophisticated.



Sigma Pneumatic.

Flexible enough to fit anywhere.



■ Geberit Sigma Pneumatic

Dual-flush button

Flush plate: Bright chrome
Product material: Zinc die cast
Code: 9504021

Available to suit Back to Wall toilet pan only.
Wall Hung cistern installation available mid 2013.



■ Geberit Sigma Pneumatic

Dual-flush button

Flush plate: Brushed chrome
Product material: Zinc die cast
Code: 9504020

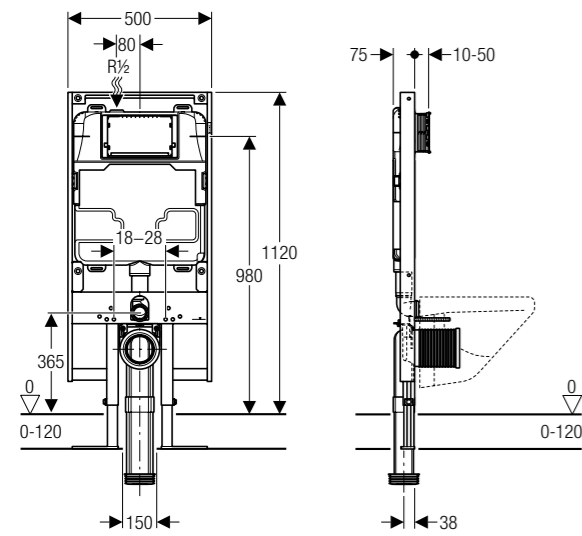
Compatibility: Suits Sigma120, Under Counter 150 and Sigma75 Pneumatic cisterns.
Cannot access cistern through flush panel for servicing. Remote access is required.

One solution fits all. Designed to accommodate even the most challenging bathroom layout, the **Sigma pneumatic** cistern fits in almost anywhere, even the ceiling. The pneumatic button is flexible enough to be placed anywhere you please.

A cistern that hits all the right buttons.

Sigma75 Mechanical

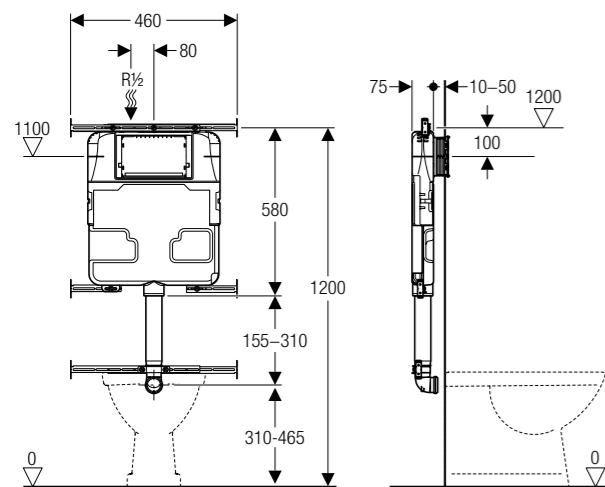
Cistern for Wall Hung pan, fits 75mm wall cavity*:



S Trap only

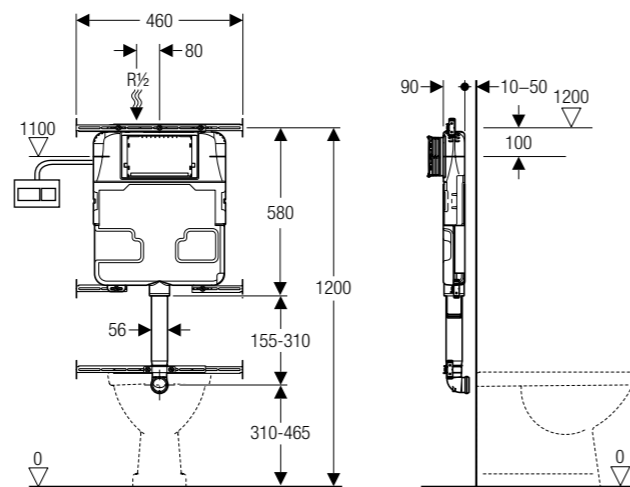
Sigma75 Pneumatic

Cistern for Back to Wall pan, fits 75mm wall cavity*:



- Fits Sigma01 plates
- In-wall installation
- Mechanical operation, front press
- Suits all brands of toilet pans:
 - Wall hung code: 9504007
 - Back to wall code: 9504008
- WELS 4star

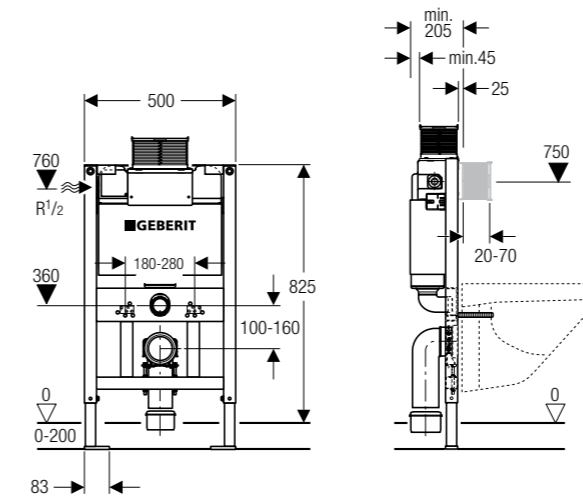
Cistern for Back to Wall pan, fits 90mm wall cavity*:



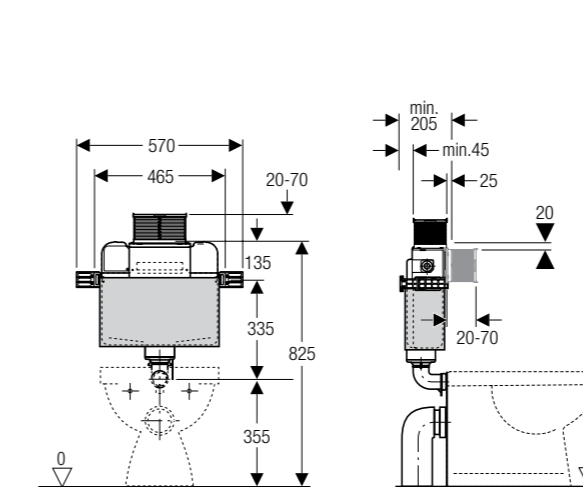
- Fits Sigma Pneumatic plates
- In duct/remote installation
- Pneumatic operation
- Suits back to wall toilet pans only:
 - Back to wall code: 9504010
- WELS 4star

Under Counter 150

Cistern for Wall Hung pan, fits 150mm wall cavity*:



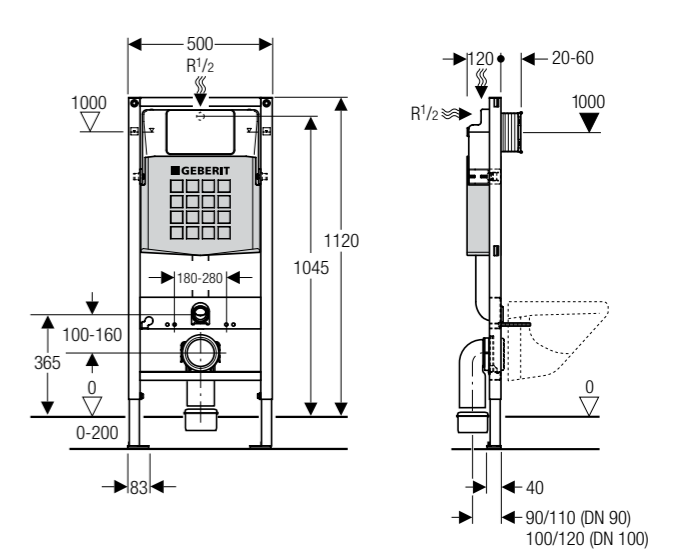
Cistern for Back to Wall pan, fits 150mm wall cavity*:



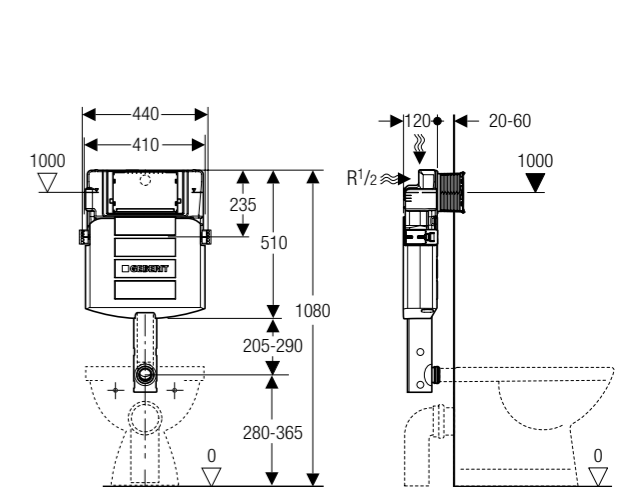
- Fits Sigma01 and Sigma Pneumatic plates
- Under counter installation
- Mechanical operation front / top press
- Convertible to pneumatic operation
- Suits all brands of toilet pans:
 - Wall hung code: 9504011
 - Back to wall code: 9504012
- WELS 4star

Sigma120

Cistern for Wall Hung pan, fits 120mm wall cavity*:



Cistern for Back to Wall pan, fits 120mm wall cavity*:



- Fits Sigma01, Sigma Pneumatic and Sigma80 plates
- In-wall or pre-wall installation
- Mechanical front press standard
- Convertible to Electronic or Pneumatic operation
- Suits all brands of toilet pans:
 - Wall hung code: 9504013
 - Back to wall code: 9504014
- WELS 4star

* Cavity depth may depend on waste pipe location.

Select your solution in 4 easy steps:

Sigma80 Electronic

Step 1: Choose the colour of your button

- Black Glass Reflective Glass

Product Code: _____

Step 2: Choose your pan

- Wall Hung Back to Wall



Step 3: Choose your cistern location

- In Wall

Step 4: Select your cistern

- Wall Hung: 9504013 Back to Wall: 9504014

Sigma01

Step 1: Choose the colour of your button

- Satin Chrome Bright Chrome
 White Black

Product Code: _____

Step 2: Choose your pan

- Wall Hung Back to Wall



Step 3: Choose your cistern location

- In Wall Under Counter

Step 4: Select your cistern

- | | |
|---|---|
| Wall Hung | Back to Wall |
| <input type="checkbox"/> In Wall 75mm: 9504007 | <input type="checkbox"/> In Wall 75mm: 9504008 |
| <input type="checkbox"/> Under Counter: 9504011 | <input type="checkbox"/> Under Counter: 9504012 |

Sigma Pneumatic Remote

Step 1: Choose the colour of your button

- Brushed Chrome Bright Chrome

Product Code: _____

Step 2: Choose your pan

- Wall Hung Back to Wall



Step 3: Choose your cistern location

- In Ceiling Under Counter
 In Duct

Step 4: Select your cistern

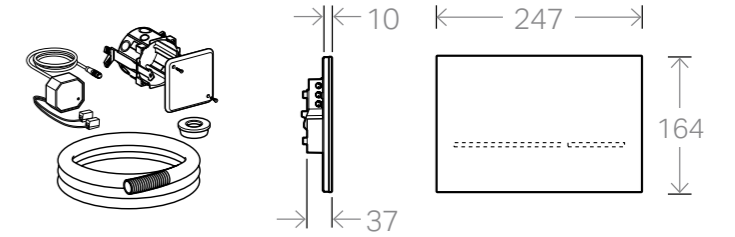
- | | |
|--|--|
| Wall Hung | Back to Wall |
| <input type="checkbox"/> Under Counter: 9504011* | <input type="checkbox"/> In Duct: 9504010* |
| | <input type="checkbox"/> In Ceiling: 9504010* |
| | <input type="checkbox"/> Under Counter: 9504012* |

* Service access is required for the cistern

Selection of Buttons

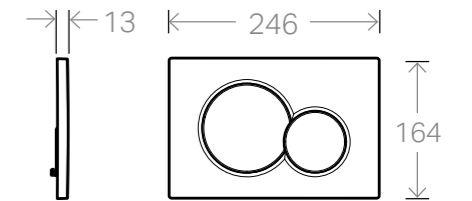
Electronic Front:

Sigma80	9504022	Black Glass
	9504023	Reflective Glass
Power supply installation set	9504026	Mandatory for Sigma80



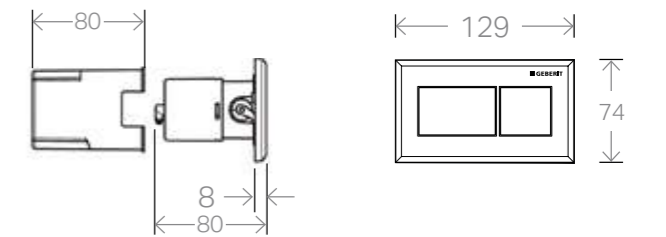
Mechanical Front or Top:

Sigma01	9504015	White
	9504016	Bright Chrome
	9504017	Satin Chrome
	9504018	Black



Pneumatic Remote:

Sigma Pneumatic	9504020	Brushed Chrome
	9504021	Bright Chrome



Benefits of the Geberit inwall cistern



Cisterns can be easily serviced through the flush/access plate.[^]

The beautifully designed flush plates, of varying finishes, provide easy access to the moving parts. To make it even easier, we have produced a series of service and installation videos which you can download from our website, geberit.com.au.



A one piece blow moulded tank for a secure water tight seal.

Geberit is swiss designed, so of course you can feel confident in our seamless state of the art manufacturing process. Each tank is pressure tested for absolute water tightness before assembly, we guarantee for 15 yrs.



Excellent customer support to both trade and retail.

Geberit's team of sales and support professionals are eager to assist with all your installation and maintenance questions.



Strong, stable and easy to service.

Each frame is tested to withstand 400 kg of weight. The tank is easy to service through the push/access plate.[^]

[^]Note: excl. Pneumatic remote



Bathroom Happiness™

Visit any one of our 300 showrooms around Australia for all the latest products, concepts and inspiration to make your bathroom whatever you want it to be. And for the ultimate bathroom experience, go to one of our bathroom life™ stores where you will find the biggest range of leading Australian and international brands.

Call **1800 032 566** or visit www.reece.com.au for your nearest bathroom showroom.

Due to limitations in the printing process the colours in this brochure are a guide only. The manufacturer/distributor reserves the right to vary specifications or delete models from their range without prior notification. The manufacturer/distributor takes no responsibility for printing errors. Caroma Basins and Toilets enjoy a 7 year product replacement warranty. Caroma Baths enjoy a 10 year product replacement warranty. Domestic use only. Please contact your local Reece store for more information.

■ GEBERIT

reece™